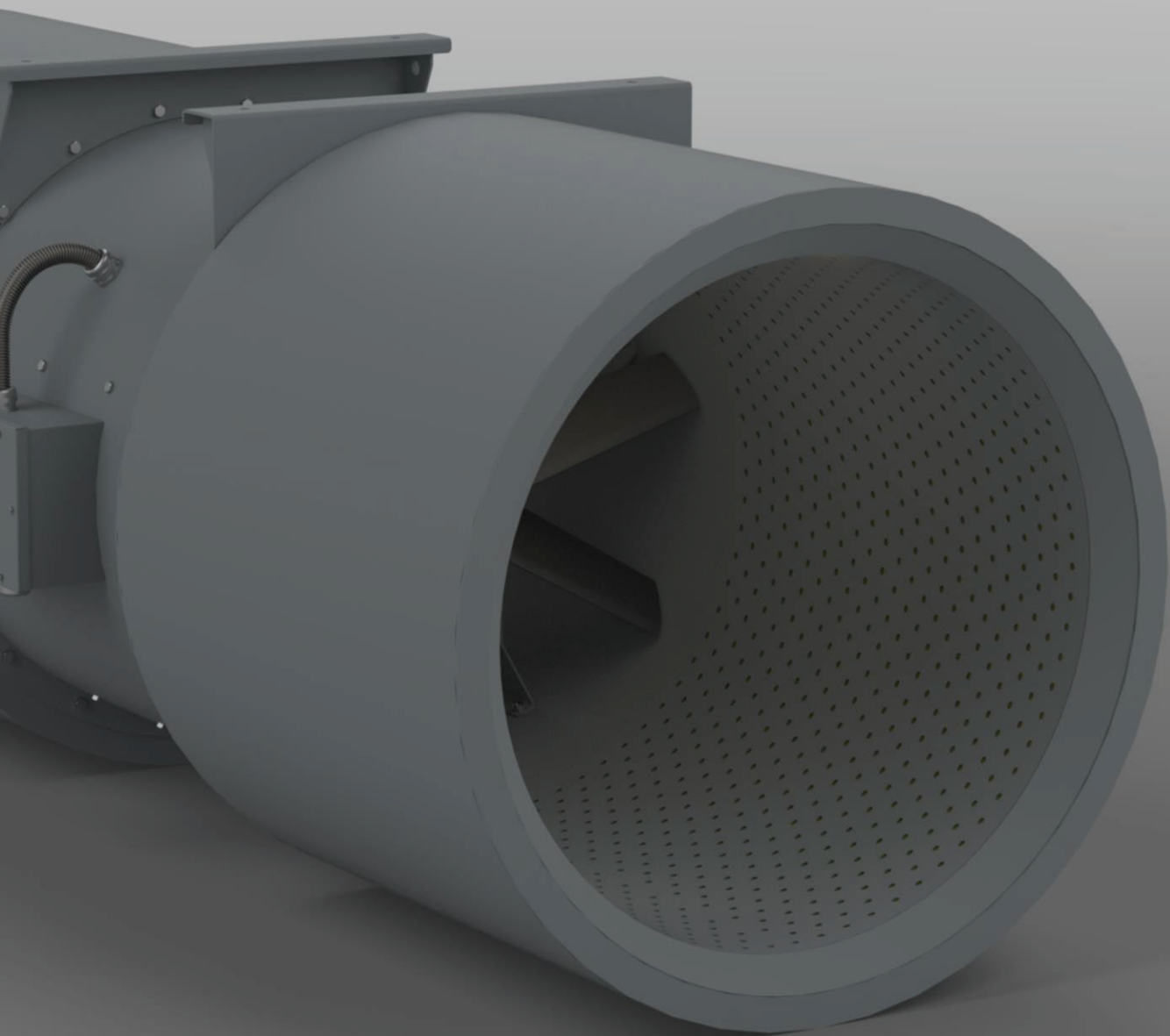


*T-FWA
Tunnel Jet Fan*



General Features

The products have fire-resistant certificate and tested for working for 2 hours at 400 °C in international accredited organizations according to EN 12101-3 standard.

It is manufactured between Ø560mm and Ø1600mm diameters.

According to the Project two-speed or single-speed options are available. Reversible propeller is standart.

Fan Body

T-FWA Axial Jet Fan models are manufactured from high quality S355 sheet.

Propeller

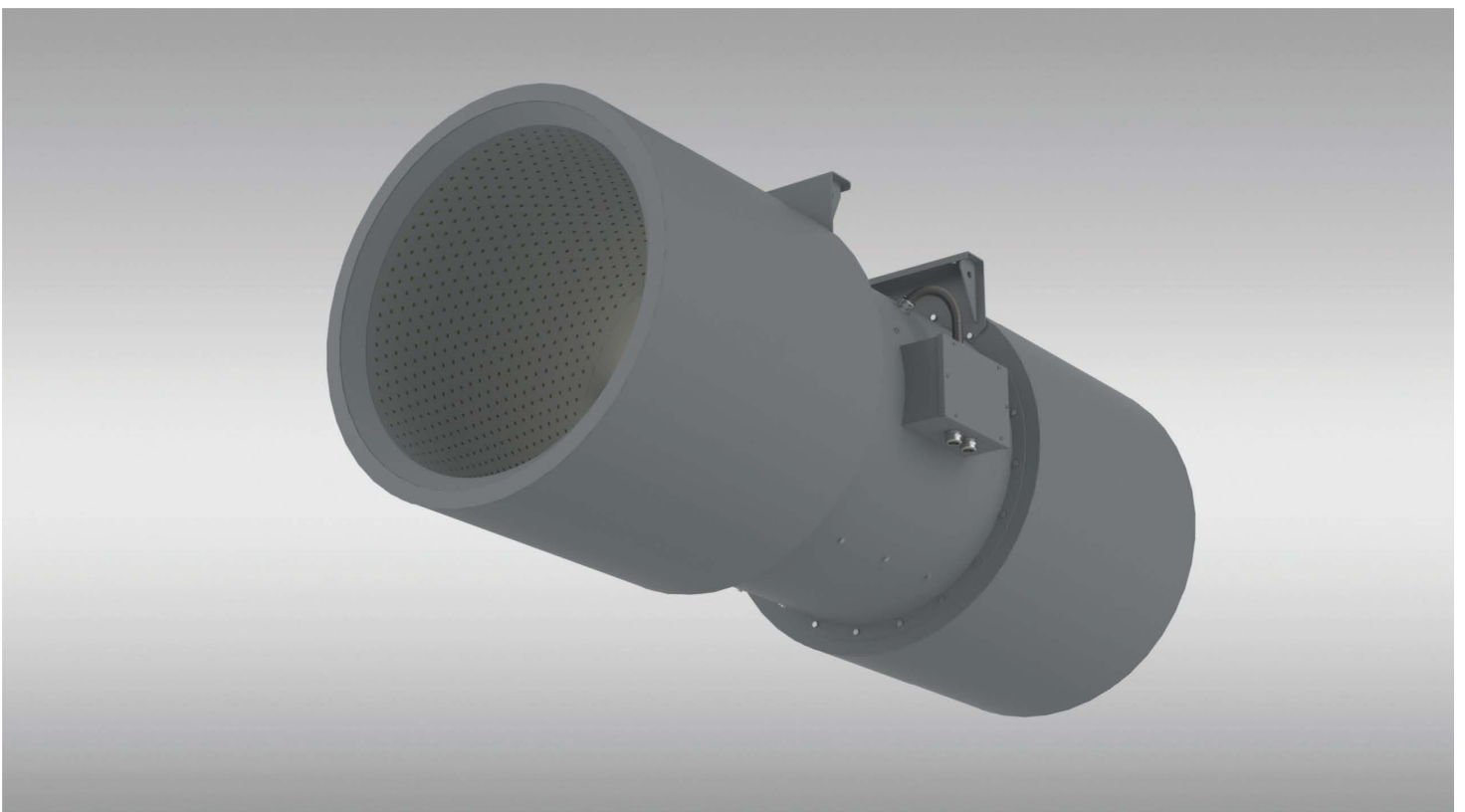
The propellers are made of special aluminum alloy with adjustable blade angles. According to the project, it can operate in the same performance in both blowing directions thanks to its reversible blade structure. Complies with international standards.

Motor

It is manufactured as standard (380 V - 50 Hz) or other voltages and frequencies (400/415/440 V - 50 Hz) on request. As a standard, Class H, S1, IP55 single-speed or double-speed motors with a resistance of 2 hours to 400 degrees are used.

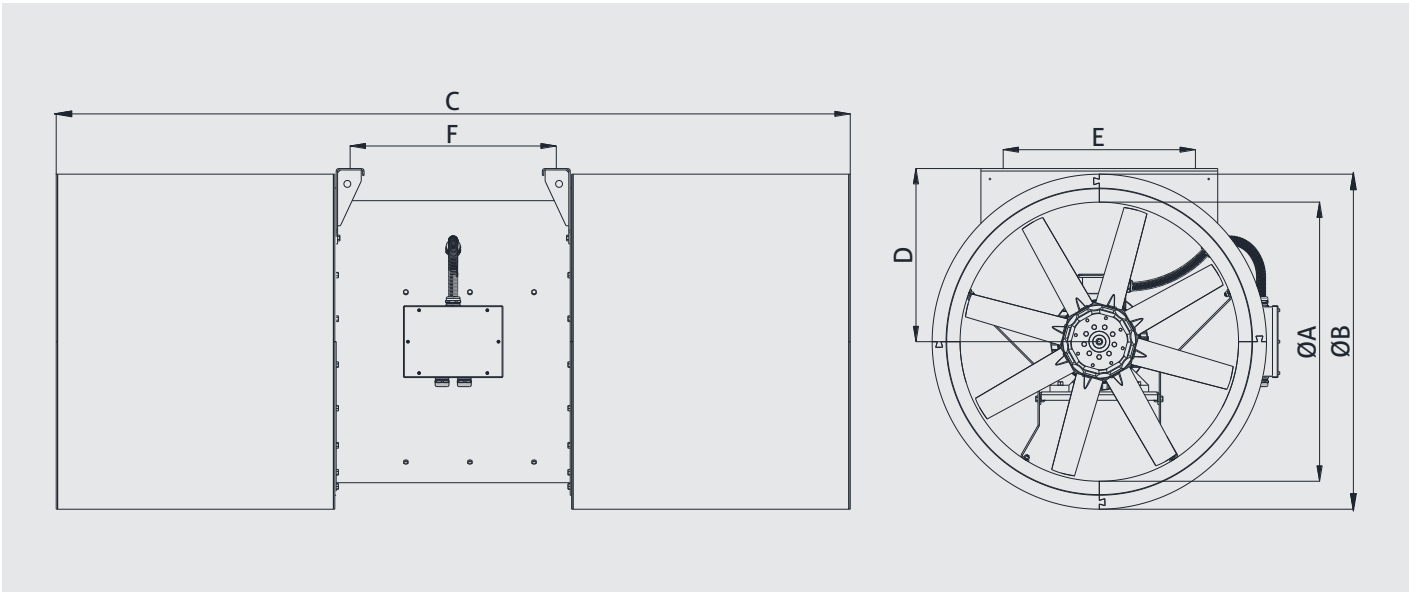
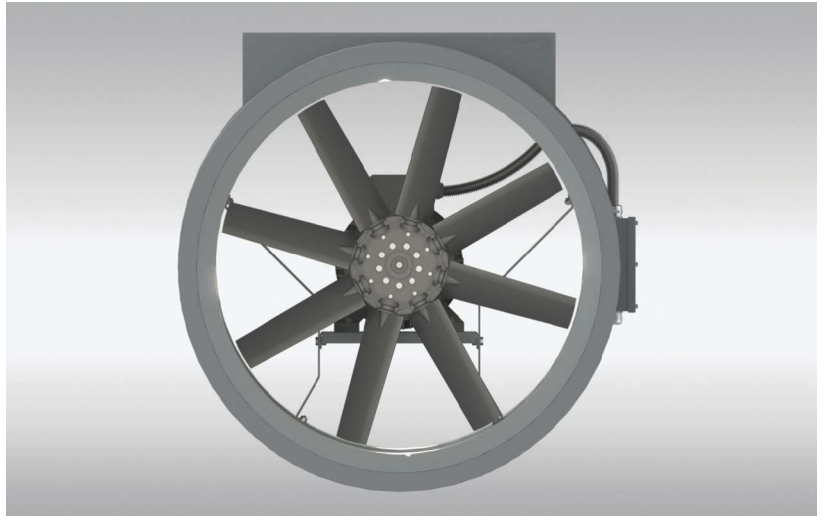
Accessories

n this series, the sound volume increases due to the high air outlet velocities and therefore tunnel jet fans are used as standard with the silencer.



Technical Specifications

TUNNEL JET FAN



MODEL	A	B	C	D	E	F	VOLTAGE	FREQUENCY	MOTOR POWER	NOS. OF POLES	FLOW RATE	MAX. AIR VELOCITY	THRUST	WEIGHT
	mm	mm	mm	mm	mm	mm	V	Hz	kW		m ³ /s	m/s	N	kg
T-FWA 560	560	760	1820	400	390	590	380	50	7,5	2	6,8	27,6	225	256
									11		7,9	32,1	305	305
T-FWA 630	630	830	1960	435	440	590	380	50	15	2	10,2	32,7	399	346
									18,5		10,7	34,4	443	368
T-FWA 710	710	910	2120	475	490	590	380	50	22	2	13,1	33	518	445
									30		14,9	37,6	670	485
T-FWA 800	800	1000	2450	520	590	740	380	50	7,5	4	11,1	22,2	296	396
									11		12,2	24,2	354	445
T-FWA 900	900	1100	2650	570	640	740	380	50	15	4	16,7	26,2	525	514
									18,5		17,9	28,2	605	536
T-FWA 1000	1000	1200	2850	620	690	740	380	50	22	4	22,1	28,2	749	636
									30		24,9	31,7	950	676
T-FWA 1120	1120	1320	3240	680	790	890	380	50	37	4	32,4	32,8	1275	815
									45		33,8	34,4	1395	918
T-FWA 1250	1250	1450	3600	745	890	990	380	50	45	4	38,5	31,4	1450	1043
									55		41,9	34,1	1715	1145
									75		45,6	37,2	2035	1285
T-FWA 1400	1400	1600	3900	820	990	990	380	50	45	6	46	29,9	1648	1169
									55		48,1	31,2	1802	1271
T-FWA 1600	1600	1800	4300	920	1190	1190	380	50	45	6	54,1	26,9	1748	1356
									55		59	29,3	2075	1458



Contact Information:

*Address: Minareliçavuş OSB Mah. 202. Sk. N:19 Nilüfer /
BURSA / TURKEY*

Export & International Operations Manager:

Mr. Aslan TEKİN

Mobile: +90 552 616 40 57 (WhatsApp, Viber, Telegram)

Group Mail: export@hvacel.com

