


hvacel 

*A-APA
Axial
Unit Heater*



hvacel.com 

Technical Specifications

AXIAL UNIT HEATER

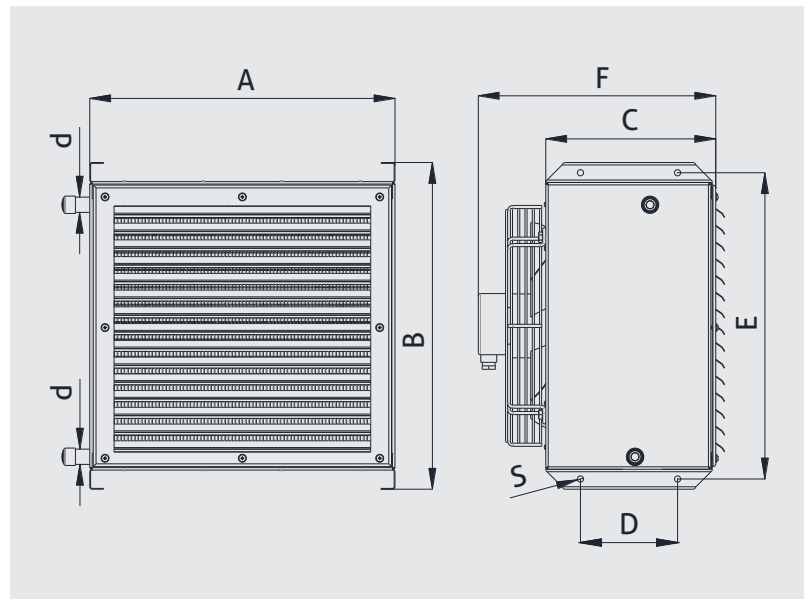
A-APA series axial unit heaters are the ideal fans to meet the heating needs of high ceiling areas. A wall-mounted construction is used for mounting. A-APA axial units have high performance, trouble-free operation.

As a standard, with 90/70 °C hot water working regime, produced in the capacity of 4.100 – 24.200 kcal/h. Upon request, can be produced according to working conditions with superheated water or steam.

Made of high quality corrosion resistant galvanized steel. Directly coupled backward curved bladed radial fan is used for air blowing. Heater coil is manufactured as copper pipe aluminum finned. It is manufactured as standard (380 V - 50 Hz) or other voltages and frequencies. Motors can be single-speed or double speed and have Class F, S1, IP55 insulation.

Usage Areas

Can be used in closed areas, warehouses, hangars, workshops, gyms, garages, production facilities with a ceiling height exceeding 4m.



MODEL	A	B	C	D	E	F	S	d	VOLTAGE	FREQUENCY	MOTOR POWER	FLOW RATE	HEATER CAPACITY		SOUND PRESSURE LEVEL	WEIGHT
	mm	mm	mm	mm	mm	mm	mm	inç	V	Hz	W	m ³ /h	kcal/h	kW	dBa	kg
A-APA 6	460	475	230	140	443	325	4,5	¾"	230	50	50	800	4100	4,8	55	17
A-APA 10	460	475	230	140	443	325	4,5	¾"	230	50	90	1200	6000	7,0	60	19
A-APA 12	460	475	230	140	443	325	4,5	¾"	230	50	90	1400	8600	10,0	52	20
A-APA 16	460	475	230	140	443	325	4,5	¾"	230	50	138	1600	11000	12,8	53	22
A-APA 20	460	475	230	140	443	325	4,5	¾"	230	50	138	1725	12700	14,8	60	22
A-APA 24	555	565	300	160	535	425	4,5	1"	230	50	138	1800	16400	19,1	62	27
A-APA 32	555	565	300	160	535	425	4,5	1"	230	50	138	1900	20600	24,0	64	28
A-APA 40	555	565	300	160	535	425	4,5	1"	230	50	180	2450	24200	28,1	65	29

hvacel



Contact Information:

*Address: Minareliçavuş OSB Mah. 202. Sk. N:19 Nilüfer /
BURSA / TURKEY*

Export & International Operations Manager:

Mr. Aslan TEKİN

Mobile: +90 552 616 40 57 (WhatsApp, Viber, Telegram)

Group Mail: export@hvacel.com

